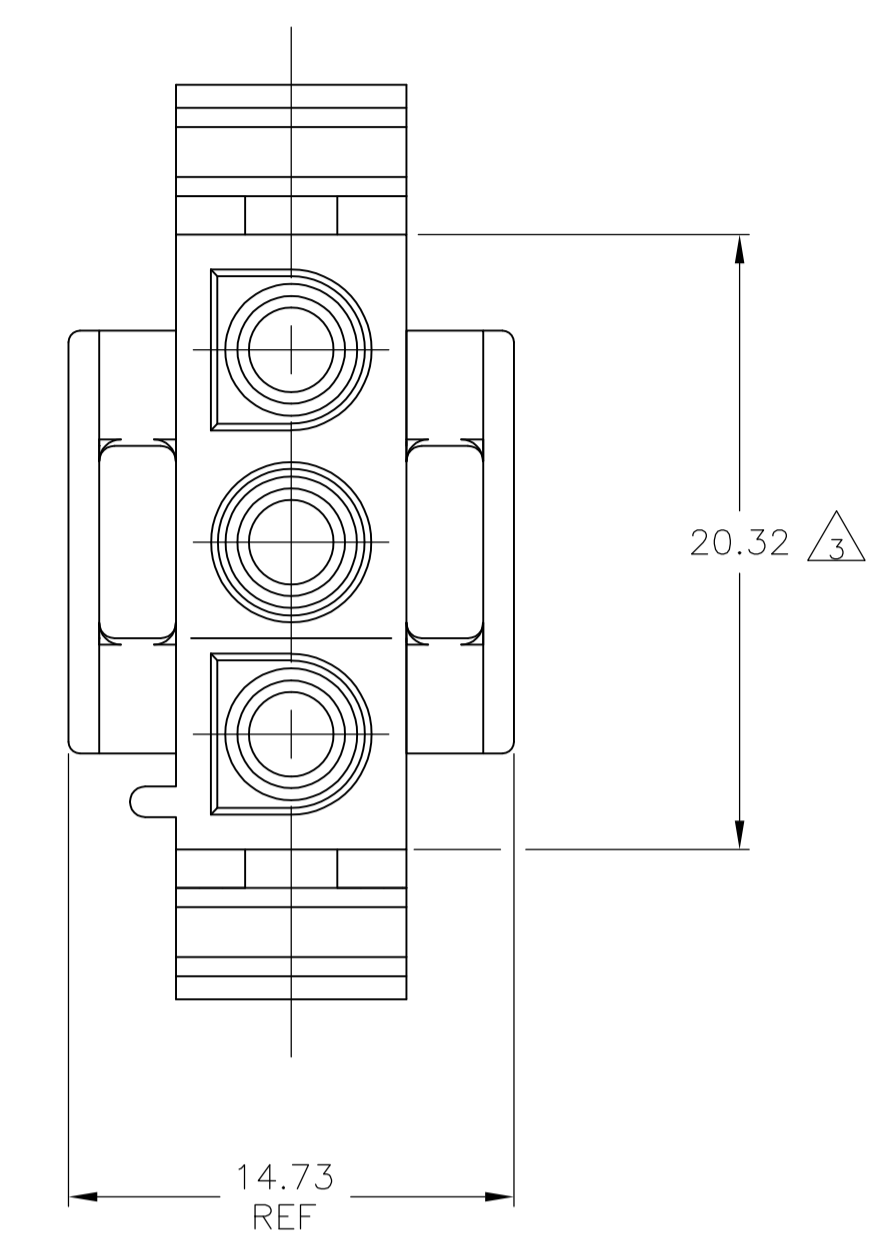
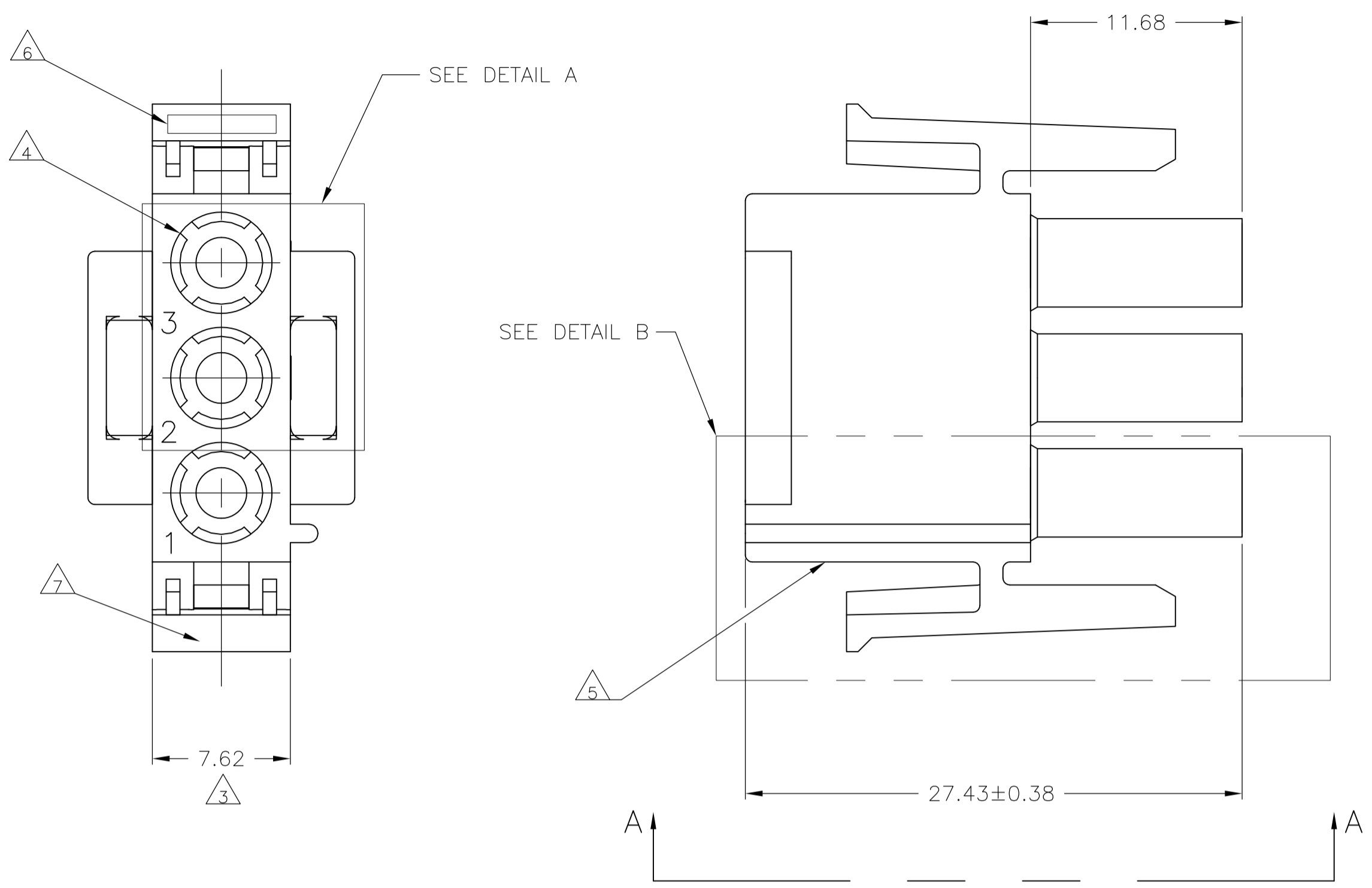
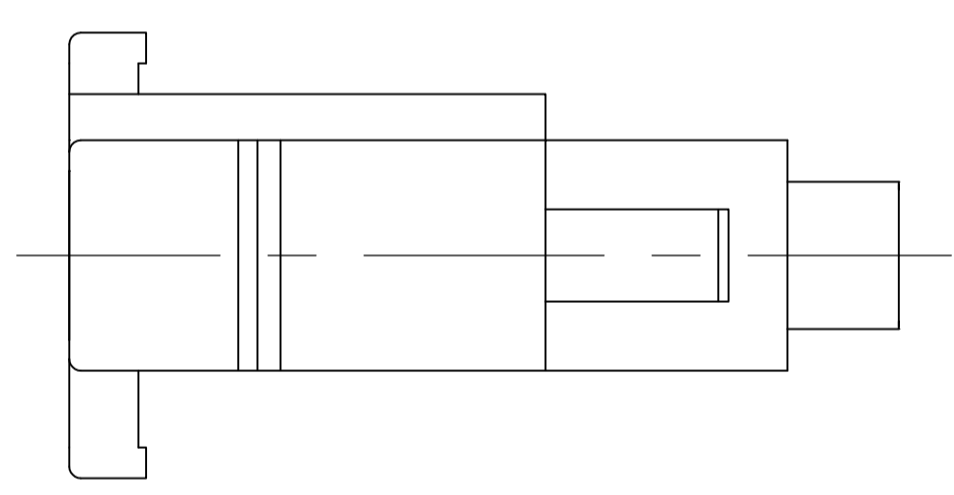


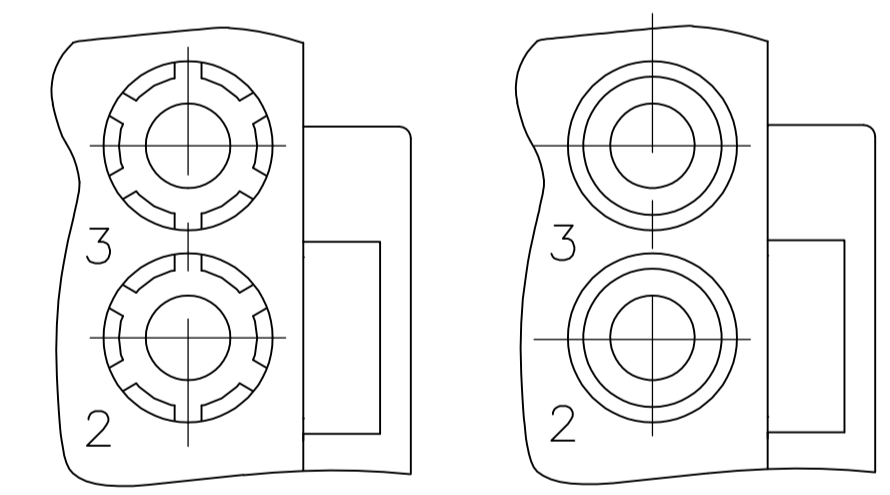
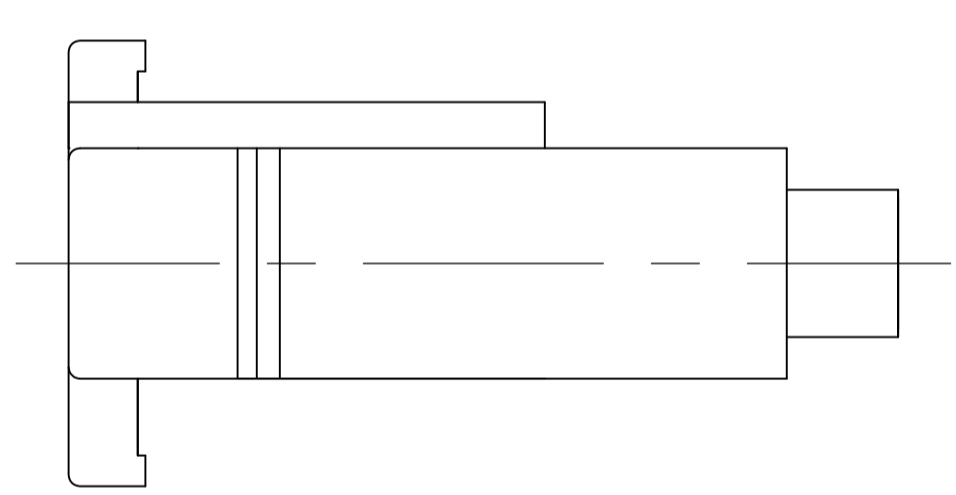
LOC	DIST	REVISIONS				
CM	00	REV	DESCRIPTION	DATE	BY	APPV
		A	ECR-14-002737	24FEB2014	KKB	R,P
		A1	REVISED PER ECR-14-012053	28AUG2014	AV	KD
		A2	REVISED PER ECR-15-002456	03MAR2015	AV	DZ



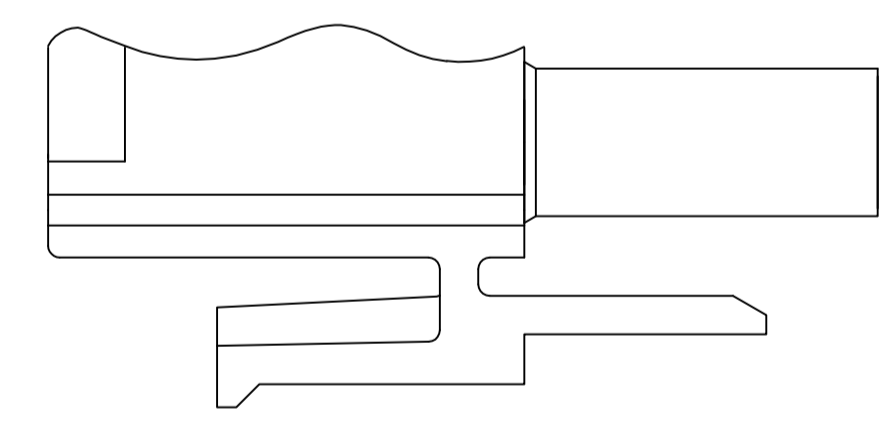
- MATES WITH APPROPRIATE UNIVERSAL MATE-N-LOK™ CAP OR HEADER.
- SMALL NICKS ARE PERMITTED ON THE CIRCUIT TOWERS WHICH COULD INCREASE THE INITIAL HOUSING MATING FORCE BY UP TO 4.4 NEWTONS [1.0 LBS]. NO INDIVIDUAL NICKED TOWER SHALL INCREASE THIS FORCE BY OVER 2.2 NEWTONS [.5 LBS].
- DIMENSION INDICATED IS AS MOLDED. ADDITIONAL GROWTH DUE TO SUBSEQUENT MOISTURE ABSORPTION MAY OCCUR.
- FOUR RIBS EQUALLY SPACED, NO SPECIFIC ORIENTATION. NO RIBS OR SIX RIBS EQUALLY SPACED, NO SPECIFIC ORIENTATION, OPTIONAL.
- UNDERWRITERS RECOGNIZED COMPONENT LOGO TO BE LOCATED ONCE EACH ON SIDE OF HOUSING.
- TRADEMARK LOCATION (AMP OR TE CONNECTIVITY).
- MANUFACTURING LOCATION ID (OPTIONAL).
- MATERIAL CORRESPONDING TO THE REQUIREMENT OF IEC60335-1 (INCL. GLOW WIRE TEST 750° C WITHOUT FLAME)
- PRELIMINARY PART NOT RELEASED FOR PRODUCTION.
- NO LATCH WINDOW PRESENT.
- LATCH WINDOW PRESENT.



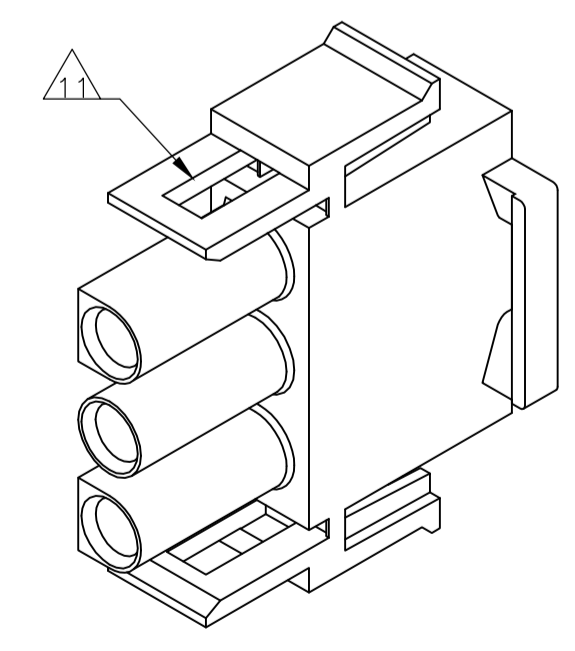
VIEW A-A
2178473-3 ONLY



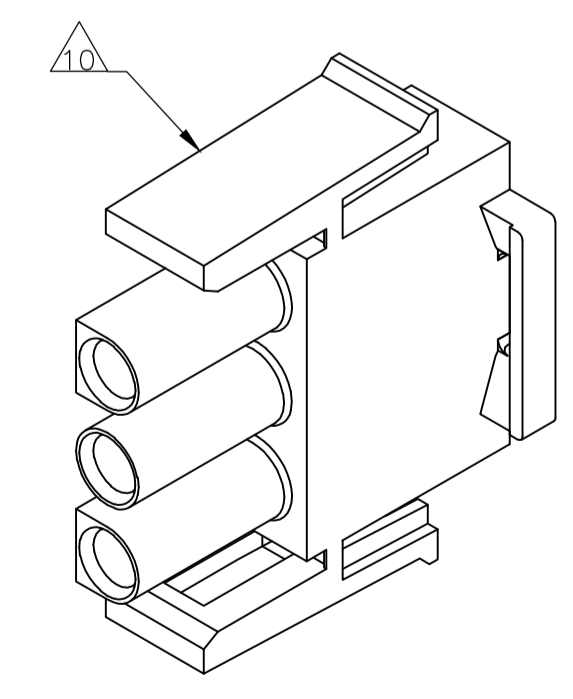
DETAIL A
OPTIONAL CONSTRUCTION



DETAIL B
2178473-3 ONLY



2178473-3



MM	IN
27.43	1.080
20.32	.800
14.73	.580
11.68	.460
7.62	.300
0.38	.015
0.13	.005
MM	IN

CONVERSION TABLE

REMARKS	MATERIAL	COLOR	PART NUMBER
8/11	PA66 UL94-V0 GW1750°C (NO FLAME)	NATURAL	2178473-3
8/10	PA66 UL94-V0 GW1750°C (NO FLAME)	NATURAL	2178473-2
9/10	PA6 UL94-V0	NATURAL	2178473-1

THIS DRAWING IS A CONTROLLED DOCUMENT.

DIMENSIONS:	TOLERANCES UNLESS OTHERWISE SPECIFIED:	DWG MGT	24JUN2013
mm	0. PLC ± -	CHK R,P	24JUN2013
	1. PLC ± -	APPV R,P	24JUN2013
	2. PLC ± 0.13 [.005]	NAME	
	3. PLC ± -	PRODUCT SPEC	108-1031
	4. PLC ± -	APPLICATION SPEC	114-1010
	ANGLES ± 0°30'	SIZE	A1
MATERIAL SEE TABLE	FINISH -	WEIGHT	000779
		CUSTOMER DRAWING	2178473

STE TE Connectivity

PLUG, 3 CIRCUIT, UNIVERSAL MATE-N-LOK

SCALE: 4:1 SHEET 1 OF 1 REV A2

